

SLB600 600mm dia. Marker Buoy

Sealite has modified the design of the SLB600 to enhance the performance of this popular marker buoy giving increased buoyancy and strength. This new design replaces the SLB600 and the SLB610. The SLB600 is a short range buoy with a diameter of 600mm and comes ready for immediate installation.

The SLB600 is rotationally-moulded using UV-stabilised virgin polyethylene giving the the buoy a myriad of benefits over traditional steel types such as high tensile strength for increased impact and puncture resistance, lightweight for ease of deployment, and minimal maintenance because the buoys never need painting. Sealite use UV-stabilised polyethylene giving the marine buoy additional protection from the degradation effects of UV exposure.

Sealite only uses virgin polyethylene which is free from heavy metals and contains no toxic chemicals. The buoys are made from recyclable materials allowing them to be recycled at the end of their working life.

The Sealite Advantage

High visibility red, green, white or yellow as per IALA recommendations

Range of mooring equipment and chain available

16mm shackle or 12mm silver rope attachment point

Excellent buoyancy & stability

Mould-in signage to suit customer requirements

Improved Reserve Buoyancy

The size and shape of the SLB600 has been remodelled below the waterline to increase the reserve buoyancy from 14kg to 26kg (an 86% increase) allowing the buoy to support more weight than previously.

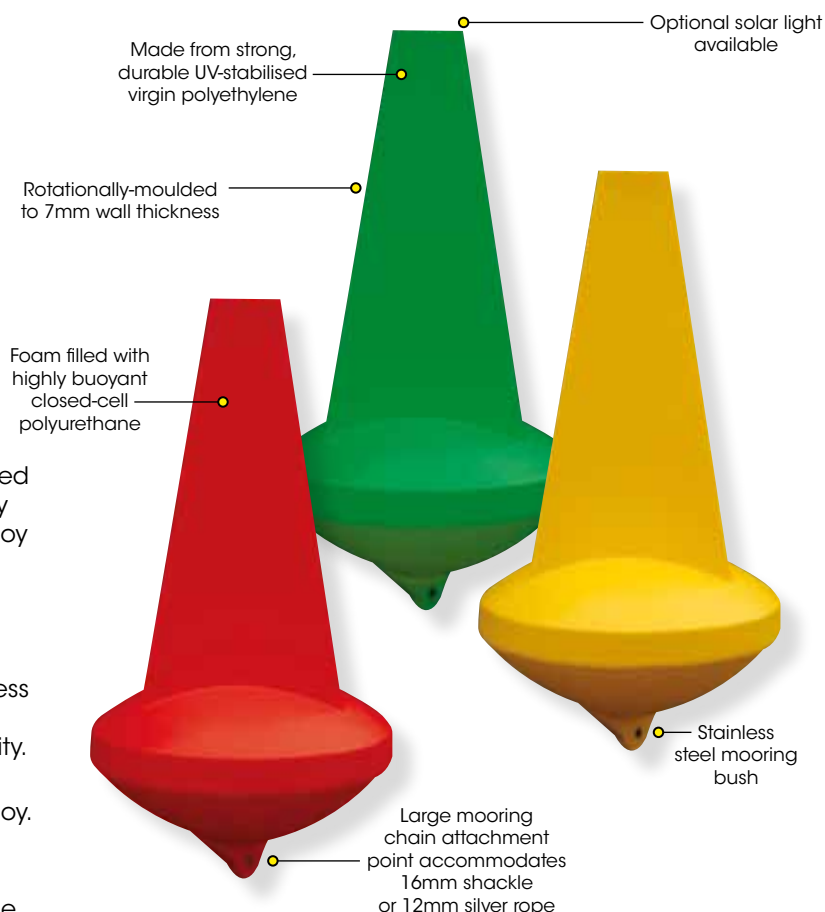
Mooring Eye Moulded into the Buoy

Unlike the superseded model where the Mooring Eye was inserted after removal from the mould, the stainless steel Mooring Eye is now being moulded directly into the SLB600 securing it in position to maximise durability.

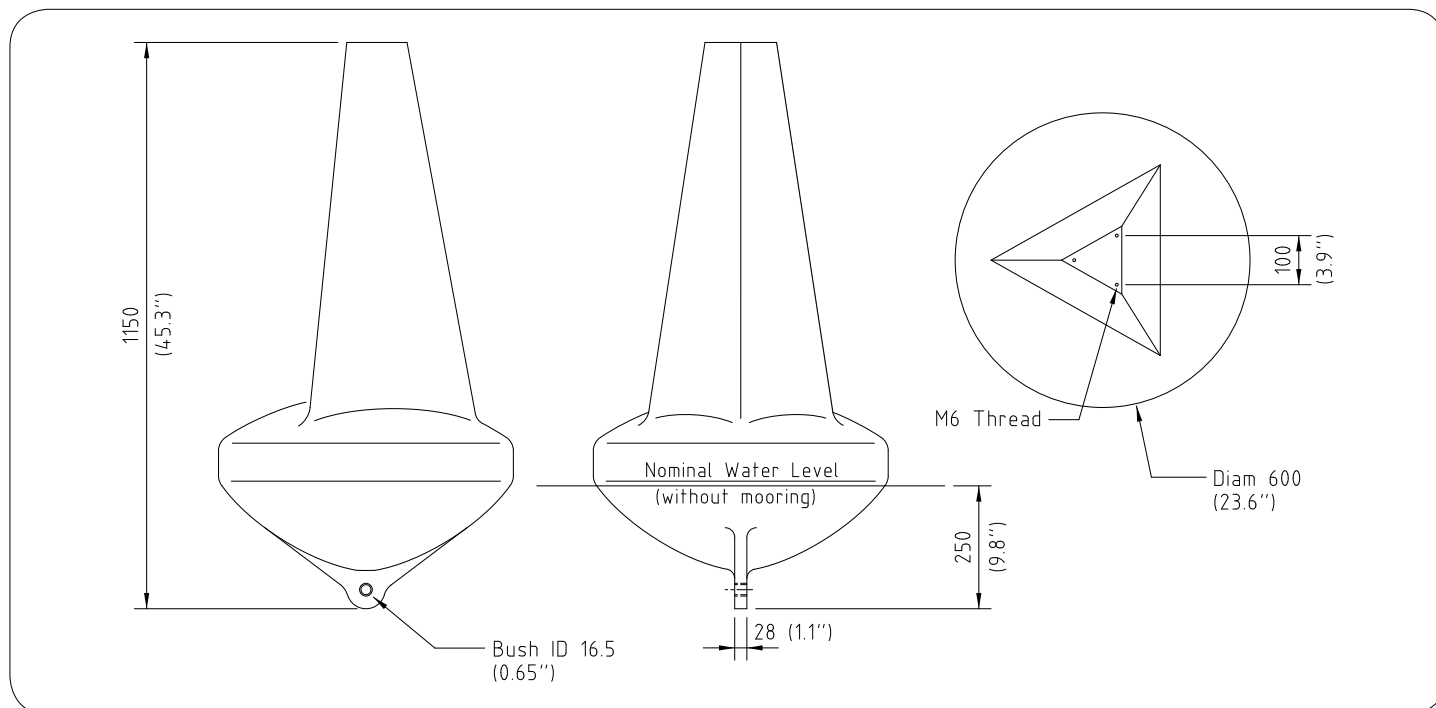
Additional material has also been added below the Mooring Eye further increasing the strength of the buoy.

Simple Replacement of Existing Buoys

The new SLB600 uses standard 16mm unrated shackle and still has the same sized Mooring Eye as the previous design making replacement of existing buoys a simple process.



For pricing and availability, please contact your closest Authorised Distributor or Sealite today.



SPECIFICATIONS •

General Characteristics

Available Colours	Red, Green, White, Yellow as per IALA Recommendations
Focal Plain Height (mm/inches)	960 / 37 ³ / ₄
Total Float Volume (ltrs/US gallon)	90 / 24
Nominal Freeboard (mm/inches)	160 / 6 ¹ / ₃
Nominal Draft (mm/inches)	250 / 9 ⁷ / ₈
Reserve Buoyancy (kg/lbs)	26 / 57
Maximum Mooring Load (kgs/lbs)	26 / 57
Draft, Maximum (mm/inches)	335 / 13 ¹ / ₈
Freeboard, Minimum (mm/inches)	70 / 2 ³ / ₄
Submergence (kg/cm, lb/inch)	2.8 / 15.8

Physical Characteristics

Material	Rotationally moulded UV-stabilised virgin polyethylene
Wall Thickness (mm/inches)	7 / 1/4
Ballast (kgs/lbs)	6 / 13 internal concrete
Filling	Closed-cell polyurethane foam
Height (mm/inches)	1150 / 45 ¹ / ₃
Width (mm/inches)	600 / 23 ⁵ / ₈
Mass (kg/lbs)	18.5 / 41
Product Life Expectancy	Up to 12 years

Certifications

Quality Assurance	ISO9001:2000
-------------------	--------------

Intellectual Property

Trademarks	SEALITE® is a registered trademark of Sealite Pty Ltd
------------	---

Warranty*

1 year

Lantern Options

Sealite SL15, SL60 or SL70 lantern

Accessory Options

- Mould-in graphics
- Sealite IALA recommended top marks
- Radar reflector

• Specifications subject to change or variation without notice
* Subject to standard terms and conditions

