

AQUAMOOR Series

650mm & 1000mm dia. Mooring Buoys

New Product

AQUAMOOR-1000

The Aquamoor-1000 has a 1000mm diameter offering increased visibility & buoyancy in deeper waters

AQUAMOOR-1000

Closed-cell polyurethane foam filled

AQUAMOOR-650

Made from strong, durable, UV-stabilized, virgin polyethylene

Rotationally-moulded to 7mm wall thickness

Large galvanised mooring tube

Chain not included - range of mooring equipment available

The Sealite Advantage

- High visibility colours
- No painting ever
- Strong, polyethylene construction
- Replaceable mooring tube
- Clear identification with optional graphics
- Eco-friendly
- AQM650: 70kg reserve buoyancy
- AQM1000: 145kg reserve buoyancy

The Sealite range of Aquamoor Mooring Buoys are designed to offer customers long life and are suitable for most locations.

The Aquamoor range is available in 650mm and 1000mm diameter. The mooring buoys are rotationally-moulded from UV-stabilized virgin polyethylene to a 7mm wall thickness, and are foam filled with closed-cell polyurethane to prevent water ingress in the unlikely event of damage to the outer layer.

The large galvanised mooring tube with 82.5mm ID will accept mooring chain of up to 20mm in diameter. The mooring tube is not moulded into the buoy but slides into a tubular section that runs down the centre of the buoy enabling the tube to be replaced at any stage during the product's service life.

Sealite's Aquamoor Mooring Buoys are capable of supporting substantial loads, and are available in a range of colours for clear visibility.

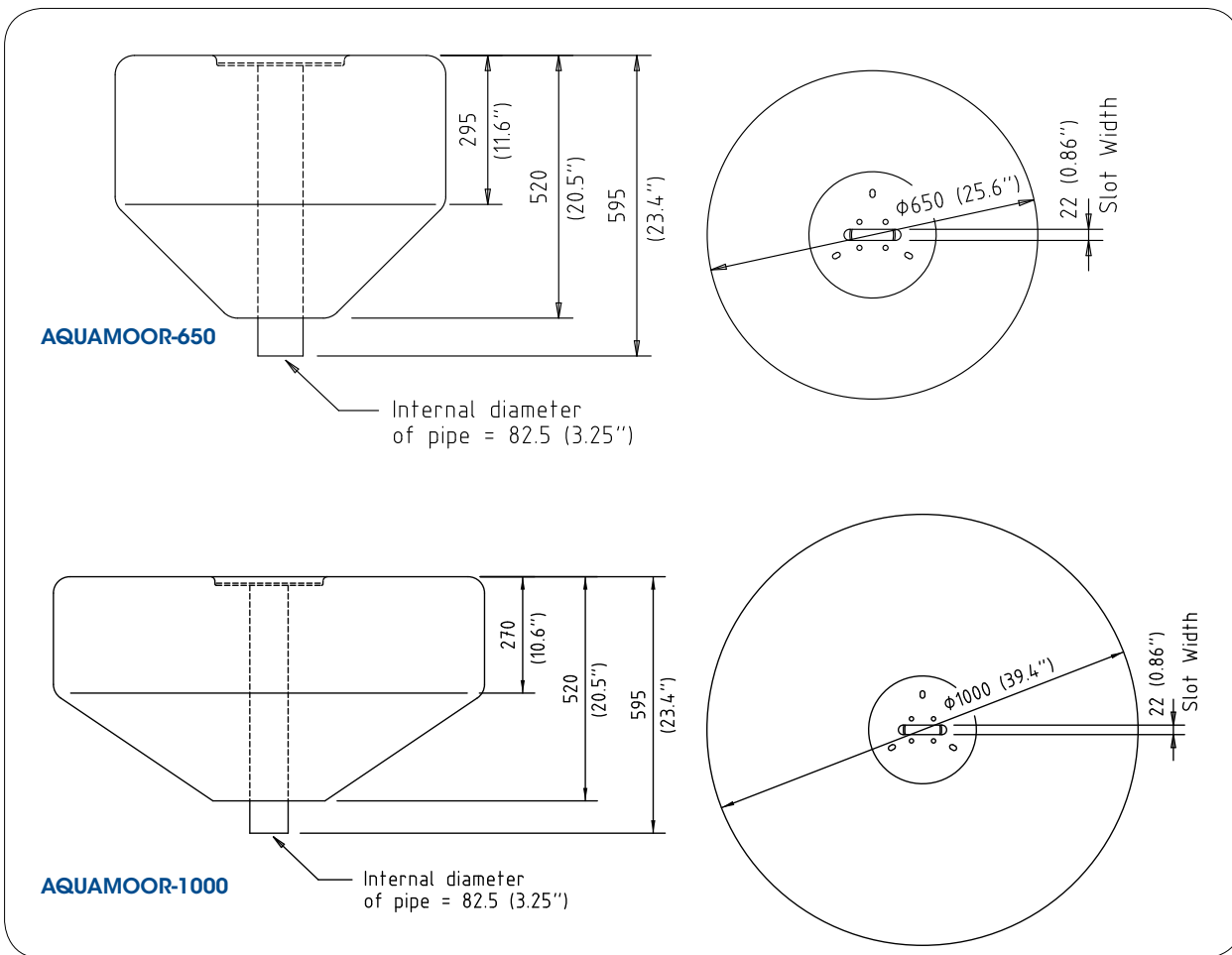


Optional
Mould-in Graphics
Available



AQUAMOOR Series

650mm & 1000mm dia. Mooring Buoys



SPECIFICATIONS •

AQUAMOOR-650

AQUAMOOR-1000

General Characteristics

Available Colours

Red, Green, White, Yellow as per IALA Recommendations

Red, Green, White, Yellow as per IALA Recommendations

Total Float Volume (ltrs/US gallon)

136 / 36

290 / 76.6

Reserve Buoyancy (kgs/lbs)

70 / 154

145 / 320

Draft, Maximum (mm/inches)

450 / 17³/₄

450 / 17³/₄

Freeboard, Minimum (mm/inches)

145 / 5³/₄

145 / 5³/₄

Submergence (kg/cm, lb/inches)

3.4 / 19.1

8.1 / 45.4

Physical Characteristics

Material

Rotationally-moulded UV-stabilized virgin polyethylene

Rotationally-moulded UV-stabilized virgin polyethylene

Wall Thickness (mm/inches)

7 / 1/4

7 / 1/4

Filling

Closed-cell polyurethane foam

Closed-cell polyurethane foam

Height (mm/inches)

595 / 23³/₈

595 / 23³/₈

Width (mm/inches)

650 / 25²/₈

1000 / 39³/₈

Mass (kg/lbs)

21 / 46

35 / 77

Product Life Expectancy

Up to 12 years

Up to 12 years

Certifications

Quality Assurance

ISO9001:2008

ISO9001:2008

Intellectual Property

Trademarks

SEALITE® is a registered trademark of Sealite Pty Ltd

SEALITE® is a registered trademark of Sealite Pty Ltd

Warranty *

Options Available

Mould-in graphics

Mould-in graphics



* Specifications subject to change or variation without notice
* Subject to standard terms and conditions

Sealite have a range of mooring chains & accessories
- ask your representative today how we can supply your complete mooring solution