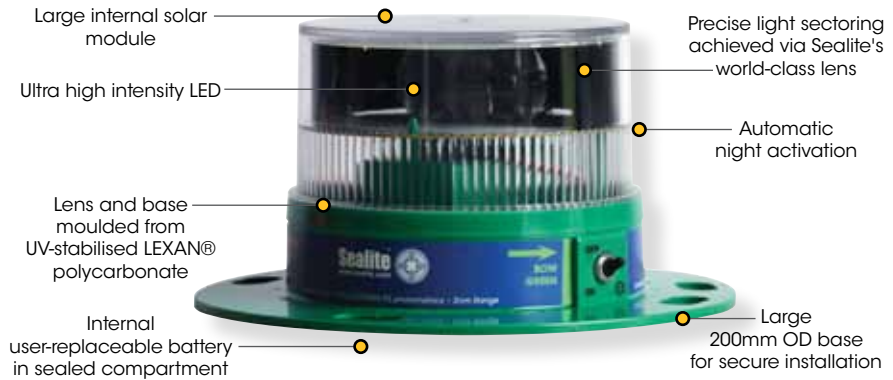


BargeSafe™ BL2

2nm Solar LED Barge Light

New Product



The Sealite Advantage

- 2nm visible range
- Certified to UL 1104 & COLREG-72 photometrics
- Ultra low power consumption
- Precise light sectoring achieved via Sealite's world-class lens
- Advanced LED technology
- Completely self-contained solar/battery light
- User-replaceable battery in sealed compartment
- NiMH battery for long service life & wide temperature range
- ON/OFF storage switch
- Installs in seconds
- Robust
- IP68 waterproof

The Sealite BargeSafe™ BL2 is a 2nm solar-powered barge light designed to meet UL 1104 and COLREG-72 standards.

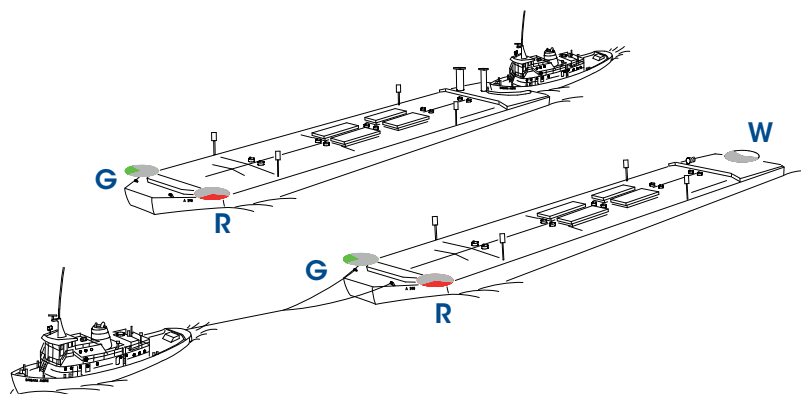
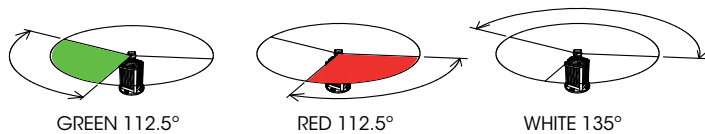
The LED barge light sets a new standard and incorporates a host of innovative features designed to make the unit extremely user-friendly.

The world-class LED lens is designed by Sealite and achieves precise intensity and sectoring requirements from a single LED light source.

Made from tough, durable polycarbonate and using the latest high intensity LED and a uniquely designed lens the BargeSafe™ 2nm light has an incredibly low power consumption. The light can be installed in minutes, requires no operator intervention and has permanent ON/OFF switch for easy storage.

During daylight hours the solar module will charge the battery and the lantern will automatically begin operation at dusk – once the ambient light threshold drops sufficiently.

The sealed battery compartment allows the battery to be replaced after years of service.

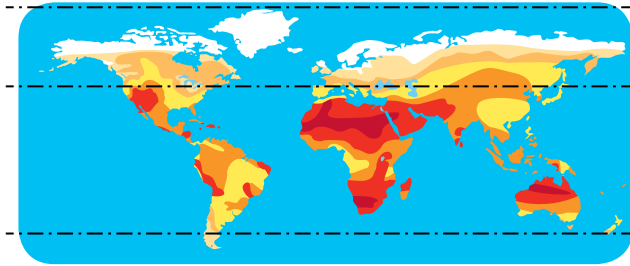


May be suitable on vessels of 12 meters (39 feet) or more in length, but less than 50 meters (164 feet) in length.

BargeSafe™ BL2

2nm Solar LED Barge Light

World Solar Insolation Values



Solar energy in hours

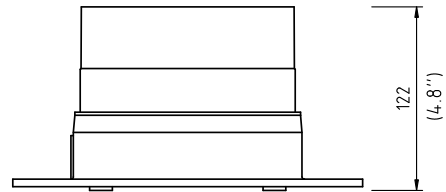
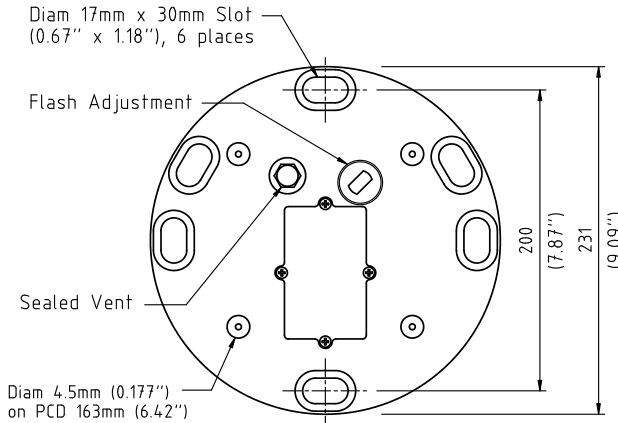


Battery operation zone[^]

Autonomous operation zone[^]

[^] Operation zones are a guide only. Please contact Sealite for recommendations suited to your location

Note: This map shows the amount of solar energy in hours received each day. This data is indicative of the month receiving the least amount of solar radiation



SPECIFICATIONS •

Light Characteristics

Light Source	1 ultra-high intensity LED
Available Colours	Red, Green, White
Visible Range (nm)	2+
LED Life Expectancy (hours)	>100,000

Electrical Characteristics

Circuit Protection	Integrated
Nominal Voltage (v)	3.6
Autonomy (days)	>20
Temperature Range	-40 to 80°C

Solar Characteristics

Solar Module Type	Multicrystalline
Output (watts)	1.4
Solar Module Efficiency (%)	14
Charging Regulation	Microprocessor controlled

Power Supply

Battery Type	High grade NiMH - Environmentally friendly
Battery Capacity (Ah)	8
Nominal Voltage (v)	3.6
Battery Service Life	Average 5 years

Physical Characteristics

Body Material	LEXAN® Polycarbonate - UV-stabilized
Lens Material	LEXAN® Polycarbonate - UV-stabilized
Lens Diameter (mm/inches)	150 / 5 ⁷ / ₈
Lens Design	Internal optics
Mounting	3 & 4 hole bolt pattern on 200mm OD base
Height (mm/inches)	122 / 4 ⁷ / ₈
Width (mm/inches)	231 / 9 ¹ / ₈
Mass (kg/lbs)	1 / 2 ¹ / ₄
Product Life Expectancy	Up to 12 years

Certifications

Approvals	UL 1104, COLREG-72
Quality Assurance	ISO9001:2008
Waterproof	IP68

Intellectual Property

Trademarks	SEALITE® is a registered trademark of Sealite Pty Ltd BargeSafe™ is a trademark of Sealite Pty Ltd
------------	---

Warranty *

Options Available

- 16Ah battery
- 50mm pole mount adapter plate



• Specifications subject to change or variation without notice
* Subject to standard terms and conditions

