

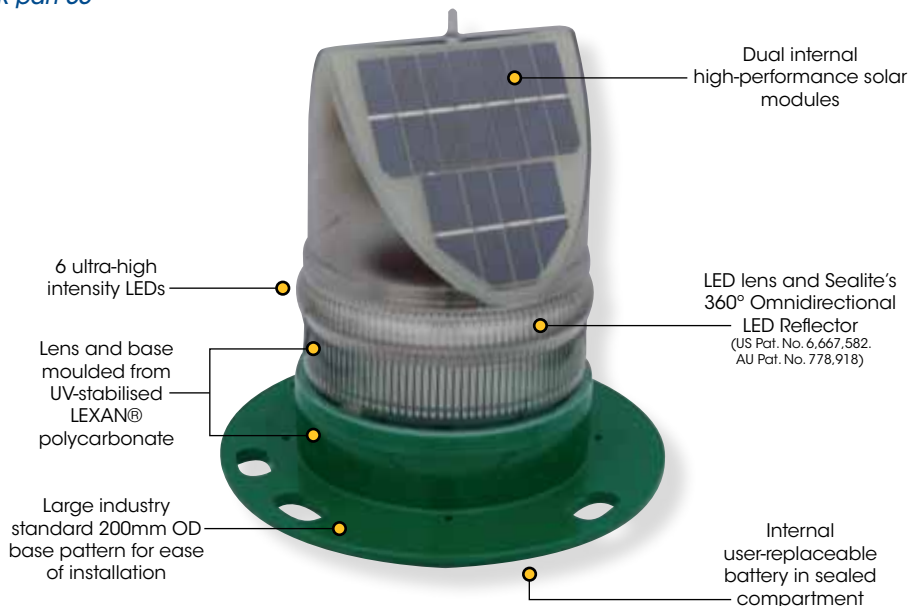
SL70

2-3nm+ Solar Marine Lantern

This equipment complies with requirements of the U.S. Coast Guard in 33 CFR part 66

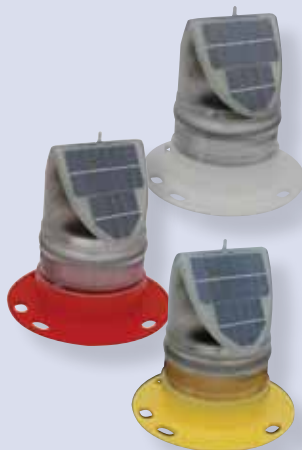


Available with RF Synchronisation or Radio Control



The Sealite Advantage

- Reliable year-round operation in low sunlight conditions
- 256 IALA flash patterns, user-adjustable without the need for external devices
- User-replaceable battery in sealed battery compartment
- NiMH battery for long service life & wide temperature range
- 4 user-adjustable intensity settings
- ON/OFF storage switch
- IP68 waterproof



The Sealite SL70 is exceptional in its unique ability to be able to 'track the sun' and operate reliably in low sunlight conditions. The SL70 has been proven to operate as a 2-3+ nautical mile compact buoy lantern in various low sunlight environments such as Britain, Canada and Europe.

Made from tough, durable polycarbonate and using the latest high intensity LEDs, the SL70 lantern boasts dual high-performance solar modules incorporated into Sealite's world-first Solar Collection Lens. These solar modules are angled to obtain maximum sunlight capture, allowing the unit to operate reliably in a range of low sunlight environments.

The SL70 can be installed in minutes and requires no operator intervention. The flash characters are easily adjusted onsite by the user, and the lantern has a permanent ON/OFF switch for easy storage.

Sealite's SL70 solar marine light has been awarded the prestigious Australian DesignMark® at the Australian Design Awards; a testament of Sealite's commitment to the ongoing development of state-of-the-art products.

Optional RF Synchronisation

The SL70 is available with optional short-range RF Synchronisation. Two (2) or more lights can be synchronised to flash in unison via an internal RF module. When lanterns flash in synchronisation they can be clearly distinguished from other nav aids and confusing background lighting - ideal for rivers, marina entrances, channel marking and aquaculture.

Optional Radio Control System

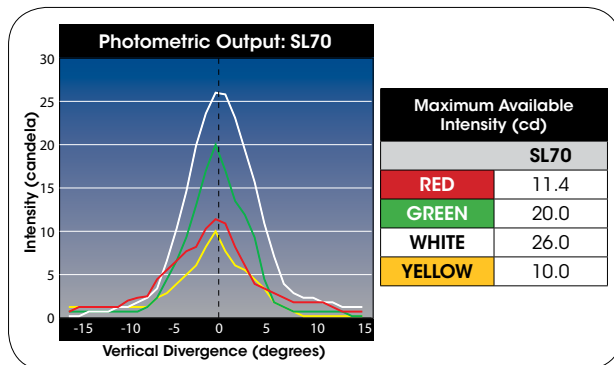
Radio control may be fitted to the SL70 model enabling users to remotely modify the setup of their lantern via handheld radio controller.

Optional 12 LED Light Configuration

In high sunlight regions the SL70 may be fitted with 12 LEDs and appropriate intensity settings to provide a range of >3 nautical miles (colour dependant).

Optional Larger Battery Pack

In regions where additional autonomy is required, the SL70 can be supplied with a larger 16Ah battery pack - this greatly extends the operational autonomy.

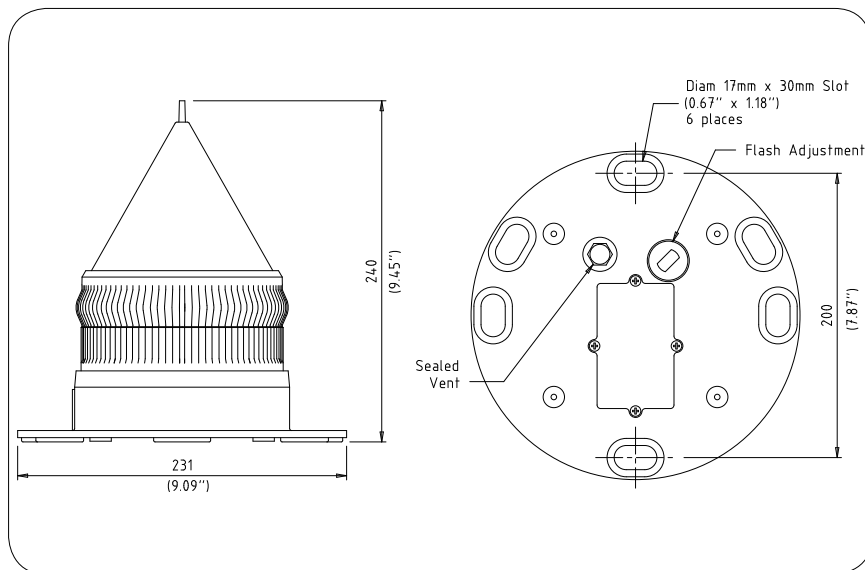


SL70

2-3nm+ Solar Marine Lantern



User-replaceable battery



SPECIFICATIONS •



Castellon, Spain



Western Australia



Light Characteristics

Light Source
Available Colours
Maximum Available Intensity (cd)†
Visible Range (nm)
Horizontal Output (degrees)
Vertical Divergence (degrees)
Reflector Type

6 ultra-high intensity LEDs
Red, Green, White, Yellow, Blue
Red - 11.4 Green - 20.0 White - 26.0 Yellow - 10.0
2-3+
360
9

Available Flash Characteristics
Intensity Adjustments
LED Life Expectancy (hours)

Omnidirectional 360° LED Reflector
(US Pat. No. 6,667,582. AU Pat. No. 778,918)
Up to 256 IALA recommended (user adjustable)
Adjustable in 25% increments
>100,000

Electrical Characteristics

Current Draw (mA)
Circuit Protection
Nominal Voltage (v)
Autonomy (days)
Temperature Range

Refer to Sealite Power Calculator
Integrated
3.6
>30 (14 hour darkness, 12.5% duty cycle)
-40 to 80°C

Solar Characteristics

Solar Module Type
Output (watts)
Solar Module Efficiency (%)
Charging Regulation

Multicrystalline
2.5 (2 x 1.25watt)
14
Microprocessor controlled

Power Supply

Battery Type
Battery Capacity (Ah)
Nominal Voltage (v)
Battery Service Life

High grade NiMH - Environmentally friendly
8
3.6
Average 5 years

Physical Characteristics

Body Material
Lens Material
Lens Diameter (mm/inches)
Lens Design
Mounting
Height (mm/inches)
Width (mm/inches)
Mass (kg/lbs)
Product Life Expectancy

LEXAN® Polycarbonate - UV-stabilised
LEXAN® Polycarbonate - UV-stabilised
150 / 5⁷/₈
External optics with interior flute design
200mm OD base pattern
240 / 9¹/₂
231 / 7¹/₈
1.4 / 3¹/₈ (SL70/16Ah 1.6 / 3¹/₂)
Up to 12 years

Certifications

CE
Quality Assurance
Waterproof

EN61000-6-3:1997. EN61000-6-1:1997
ISO9001:2008
IP68

Intellectual Property

Patents
Trademarks

US Pat. No. 6,667,582. AU Pat. No. 778,918
SEALITE® is a registered trademark of Sealite Pty Ltd
3 years

Warranty *

Options Available

- 16Ah battery
- 12 LEDs
- 50mm pole mount adapter plate
- RF Synchronisation
- Radio Control System
- Note - remote monitoring/control will reduce visible range of lantern due to increased power consumption

• Specifications subject to change or variation without notice
* Subject to standard terms and conditions
† Intensity setting subject to solar availability

