

SL96

4ft LED Leading Light

**Next
Generation**

Enhanced housing, lens & mounting points.
IP68 waterproof rating

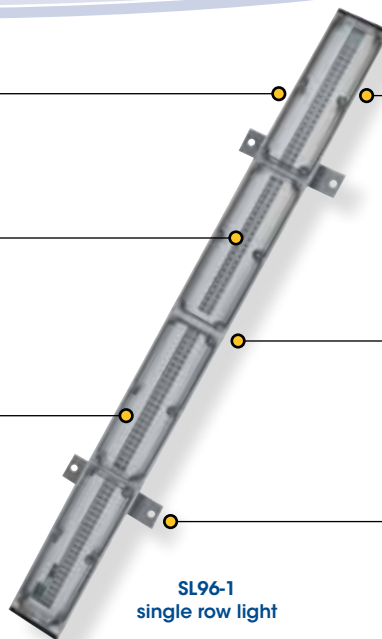


Available with internal
GPS Synchronisation,
Hard-wire Synchronisation or
GSM Monitoring & Control

Automatic night activation

100, 200 or 300
ultra-high intensity LEDs

Lenses manufactured
from UV-stabilised
LEXAN® polycarbonate
and marine grade
gaskets for superior
sealing



**SL96-1
single row light**

Extremely robust extruded
aluminium chassis
with injection-moulded
LEXAN® polycarbonate
glass-filled end caps
- UV-stabilised

Completely water, dust
and rust proof (IP68),
ensuring long service
life in the harsh marine
environment

Adjustable mounting
attachment points
(mounting feet & bolt
head slots) for ease of
installation

The Sealite Advantage

- Directional 4ft LED leading light
- 8 - 14.5+ nautical mile range
- Robust design ensures a complete seal suitable for extreme weather conditions
- 256 user-adjustable flash characteristics
- Adjustable intensity settings
- Operates in conjunction with existing or purpose-built power supplies
- Optional GPS Synchronisation & GSM Remote Monitoring
- IP68 waterproof

The SL96 is a 4ft LED leading light offering greater visibility to the smaller SL48 series.

The unit is available in 3 configurations utilising either single (SL96-1), dual (SL96-2), or triple (SL96-3) row LED circuits as a light source.

The advanced circuitry of the SL96 series comprise of a DC/DC converter, temperature monitoring, current control, and automatic night activation.

The innovative, robust design of the SL96 leading light ensures years of reliable, maintenance-free service. The unit is completely water, dust & rust proof, and vandal resistant.

The SL96 body is made from extruded aluminium with injection-moulded UV-stabilised LEXAN® polycarbonate glass-filled end caps for superior strength and durability. Single, dual and triple row versions have the same body width.

Individual injection-moulded LEXAN® polycarbonate lenses are fitted to the aluminium body with a marine grade gasket ensuring a superior sealing (IP68 waterproof).

The aluminium housing features 2x channels/slots which run along the entire length of the base of the SL96. This multi-mount design allows the 2x mounting brackets/feet to be positioned as required for complete installation flexibility.

The unit operates from a standard 8 - 20 volt power supply, and may be run from a mains powered system or with solar and battery backup in the event of power failure.

The SL96 leading light is also available with hard-wire or GPS Synchronisation and GSM Remote Monitoring and Control capabilities. When leading lights flash in synchronisation, they can be clearly distinguished from other nav aids and confusing background lighting.



Ease of flash setting selection (where required)
via internal rotary switches

SL96

4ft LED Leading Light



Swanson Dock, Port of Melbourne, Australia



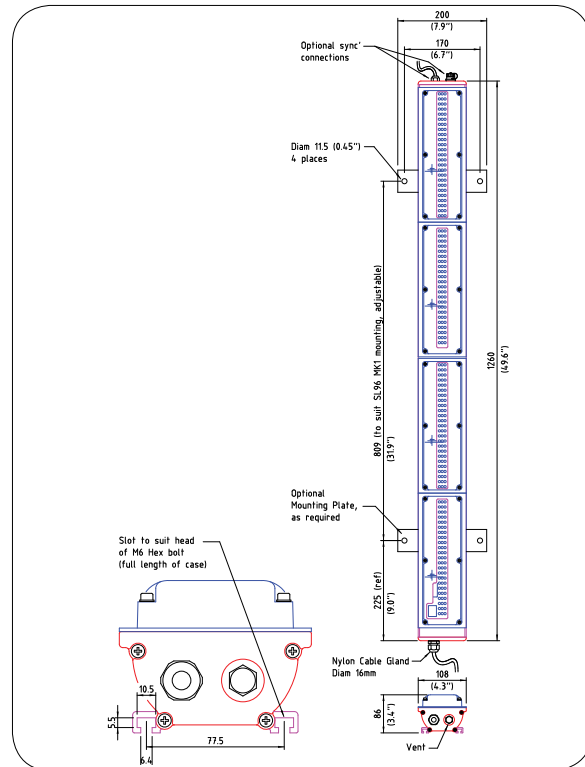
Port Kembla, Australia



Rigby Island, Australia



Richmond River, Australia



SPECIFICATIONS •

SL96-1 Single Row

SL96-2 Dual Row

SL96-3 Triple Row

Light Characteristics

Light Source
Available Colours
Maximum Available Intensity (cd)†

Visible Range (nm)
Horizontal Output (degrees)
Vertical Divergence (degrees)
Available Flash Characteristics

Intensity Adjustments
LED Life Expectancy (hours)

Electrical Characteristics

Current Draw (mA)

Circuit Protection
Nominal Voltage (V)
Temperature Range

Physical Characteristics

Body Material

Lens Material

Mounting

Height (mm/inches)
Width (mm/inches)
Length (mm/inches)
Mass (kg/lbs)
Product Life Expectancy

Certifications

CE
Quality Assurance
Waterproof

Intellectual Property

Trademarks

Warranty *

Options Available

100 ultra-high intensity LEDs
Red, Green, White, Yellow, Blue
Red - 3070 Green - 4160 White - 4050
Yellow - 2570 Blue - 620

8-12+
15
15
Up to 256 IALA recommended
(user adjustable)
User adjustable
>100,000

Red, Yellow - 1020
Blue, Green, White - 860
Polarity protected
12
-40 to 80°C

Extruded aluminium chassis with
LEXAN® polycarbonate glass-filled
end caps - UV-stabilised
LEXAN® Polycarbonate
- UV-stabilised

Slots to suit head of M6 Hex bolt (full
length of light body) & 4 x 11.5mm
mounting holes (mounting feet)
86 / 3²/₅
200 / 7⁷/₈ (including feet)
1260 / 49²/₃
7.4 / 16¹/₃
Up to 12 years

EN61000-6-3:1997. EN61000-6-1:1997
ISO9001:2008
IP68

SEALITE® is a registered trademark of
Sealite Pty Ltd
3 years

- Power supplies/systems
- Hard-wire Synchronisation
- GPS Synchronisation
- GSM Remote Monitoring & Control Capabilities
- Additional cable

200 ultra-high intensity LEDs
Red, Green, White, Yellow, Blue
Red - 5680 Green - 8050 White - 7950
Yellow - 5080 Blue - 1200

9.5-13+
15
15
Up to 256 IALA recommended
(user adjustable)
User adjustable
>100,000

Red, Yellow - 2040
Blue, Green, White - 1720
Polarity protected
12
-40 to 80°C

Extruded aluminium chassis with
LEXAN® polycarbonate glass-filled
end caps - UV-stabilised
LEXAN® Polycarbonate
- UV-stabilised

Slots to suit head of M6 Hex bolt (full
length of light body) & 4 x 11.5mm
mounting holes (mounting feet)
86 / 3²/₅
200 / 7⁷/₈ (including feet)
1260 / 49²/₃
7.6 / 16³/₄
Up to 12 years

EN61000-6-3:1997. EN61000-6-1:1997
ISO9001:2008
IP68

SEALITE® is a registered trademark of
Sealite Pty Ltd
3 years

- Power supplies/systems
- Hard-wire Synchronisation
- GPS Synchronisation
- GSM Remote Monitoring & Control Capabilities
- Additional cable

300 ultra-high intensity LEDs
Red, Green, White, Yellow, Blue
Red - 8580 Green - 12050
White - 11900 Yellow - 7500
Blue - 1790

10.5-14.5+
15
15
Up to 256 IALA recommended
(user adjustable)
User adjustable
>100,000

Red, Yellow - 3060
Blue, Green, White - 2580
Polarity protected
12
-40 to 80°C

Extruded aluminium chassis with
LEXAN® polycarbonate glass-filled
end caps - UV-stabilised
LEXAN® Polycarbonate
- UV-stabilised

Slots to suit head of M6 Hex bolt (full
length of light body) & 4 x 11.5mm
mounting holes (mounting feet)
86 / 3²/₅
200 / 7⁷/₈ (including feet)
1260 / 49²/₃
7.8 / 17¹/₅
Up to 12 years

EN61000-6-3:1997. EN61000-6-1:1997
ISO9001:2008
IP68

SEALITE® is a registered trademark of
Sealite Pty Ltd
3 years

- Power supplies/systems
- Hard-wire Synchronisation
- GPS Synchronisation
- GSM Remote Monitoring & Control Capabilities
- Additional cable

• Specifications subject to change or variation without notice
* Subject to standard terms and conditions
† Intensity setting subject to solar availability



Leading Light Power Supply Options

Sealite can provide a number of power supplies and accessories to suit their range of Leading Lights including:

LD-PS-40

40watt Power Supply to suit leading light, includes:

- 1 x 40watt solar panel
- 1 x 55Ah battery
- Solar charge controller
- Weatherproof battery housing
- Lockable powder-coated battery box c/w 200mm OD base mount - Type 2 series
- 16mm cable gland access

LD-PS-60

60watt Power Supply to suit leading light, includes:

- 1 x 60watt solar panel
- 1 x 55Ah battery
- Solar charge controller
- Weatherproof battery housing
- Lockable powder-coated battery box c/w 200mm OD base mount - Type 2 series

LD-PS-85

85watt Power Supply to suit leading light, includes:

- 1 x 85watt solar panel c/w wall mounting bracket
- 1 x 55Ah batteries
- Solar charge controller
- Weatherproof battery housing
- Lockable powder-coated battery box c/w 200mm OD base mount - Type 2 series
- 3mt cabling to solar module and fixtures

LD-PS-140

140watt Power Supply to suit leading light, includes:

- 1 x 140watt solar panel c/w wall mounting bracket
- 1 x 100Ah battery
- Solar charge controller
- Weatherproof battery housing
- Lockable powder-coated battery box c/w 200mm OD base mount - Type 2 series
- 3mt cabling to solar module and fixtures

Please Note:

System suitability will be affected by available solar levels and power settings of the Lead Lights. Refer to Sealite Power Calculator for details.