

# SLB600

600mm dia. Marker Buoy

## Next Generation

Now with greater reserve buoyancy & mooring eye strength

Sealite have a range of mooring chains & accessories - ask your representative today how we can supply your complete mooring solution

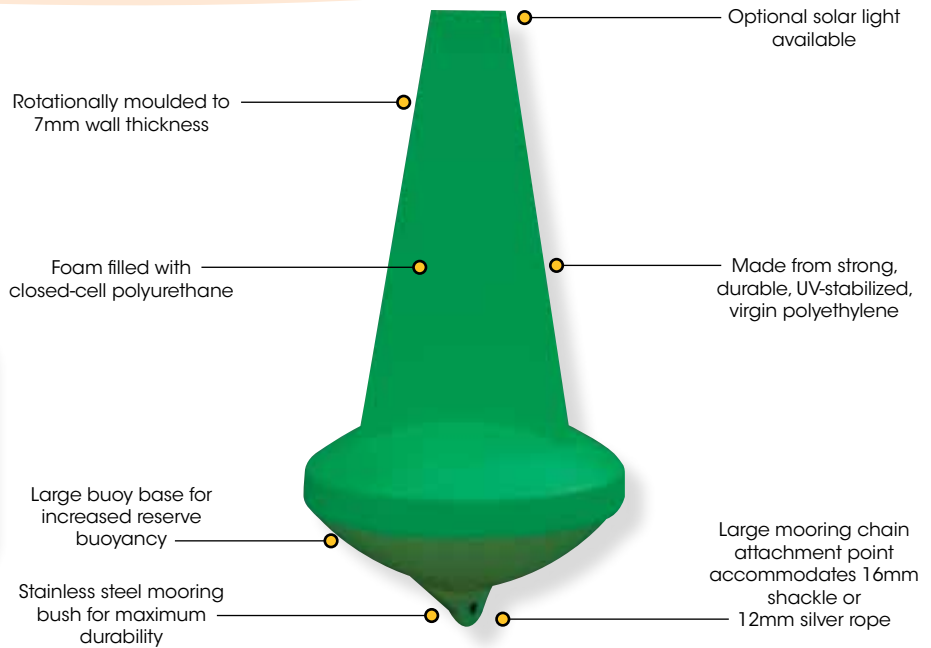
### The Sealite Advantage

- High visibility red, green, white or yellow as per IALA recommendations
- Range of mooring equipment & chain available
- 16mm shackle or 12mm silver rope attachment point
- Excellent buoyancy & stability
- Mould-in graphics to suit customer requirements

Optional Mould-in Graphics Available



Available in standard high visibility IALA recommended colours



The SLB600 is a short-range buoy ready for immediate installation. Typical applications include day and night channel, speed zone and restricted area marking.

The SLB600 is extremely long lasting and is moulded from strong, durable, UV-stabilized polyethylene. The large buoy base enables an even greater mooring load, with reserve buoyancy of 26kg (57lbs). The stainless steel mooring bush is moulded directly into the buoy during manufacture for superior durability and strength. A large mooring chain attachment point accommodates a 16mm shackle or 12mm silver rope.

The complete assembly is only 18.5kg (41lbs) and is available in standard high visibility Yellow, Green, Red and White.

Custom mould-in graphics are also available on request.

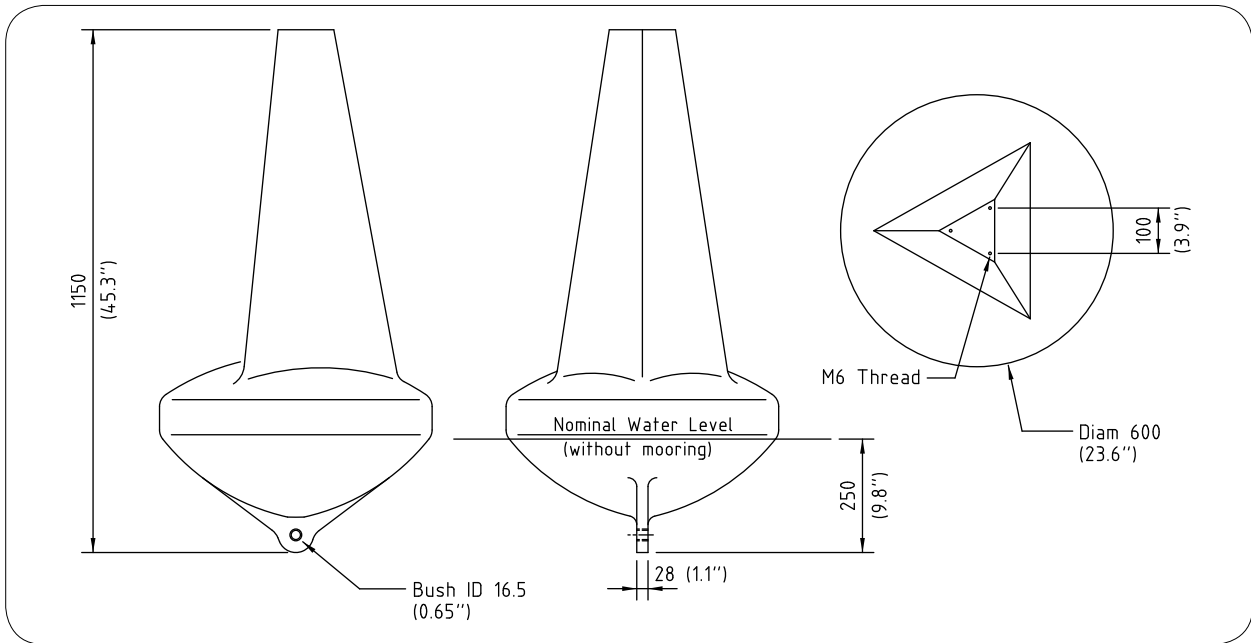


Environmentally Friendly & Recyclable

Sealite buoy products are made from recyclable materials. As a service to customers, individual components and products at the end of their service life may be returned to Sealite for recycling.

# SLB600

600mm dia. Marker Buoy



Range of mould-in graphics such as "5 Knots" available

### General Characteristics

Available Colours	Red, Green, White, Yellow as per IALA Recommendations
Focal Plane Height (mm/inches)	960 / 37 <sup>5</sup> / <sub>4</sub>
Total Float Volume (litrs/US gallon)	90 / 24
Nominal Freeboard (mm/inches)	160 / 6 <sup>1</sup> / <sub>8</sub>
Nominal Draft (mm/inches)	250 / 9 <sup>7</sup> / <sub>8</sub>
Reserve Buoyancy (kgs/lbs)	26 / 57
Maximum Mooring Load (kgs/lbs)	26 / 57
Draft, Maximum (mm/inches)	335 / 13 <sup>1</sup> / <sub>8</sub>
Freeboard, Minimum (mm/inches)	70 / 2 <sup>3</sup> / <sub>4</sub>
Submergence (kg/cm, lb/inches)	2.8 / 15.8

### Physical Characteristics

Material	Rotationally-moulded UV-stabilized virgin polyethylene
Wall Thickness (mm/inches)	7 / 1/4
Ballast (kg/lbs)	6 / 13 internal concrete
Filling	Closed-cell polyurethane foam
Height (mm/inches)	1150 / 45 <sup>1</sup> / <sub>8</sub>
Width (mm/inches)	600 / 23 <sup>5</sup> / <sub>8</sub>
Mass (kg/lbs)	18.5 / 41
Product Life Expectancy	Up to 12 years

### Certifications

Quality Assurance ISO9001:2008

### Intellectual Property

Trademarks

### Warranty \*

### Lantern Options Options Available

SEALITE® is a registered trademark of Sealite Pty Ltd  
1 year  
Sealite SL15, SL60 or SL70 lantern  
• Mould-in graphics



• Specifications subject to change or variation without notice  
\* Subject to standard terms and conditions