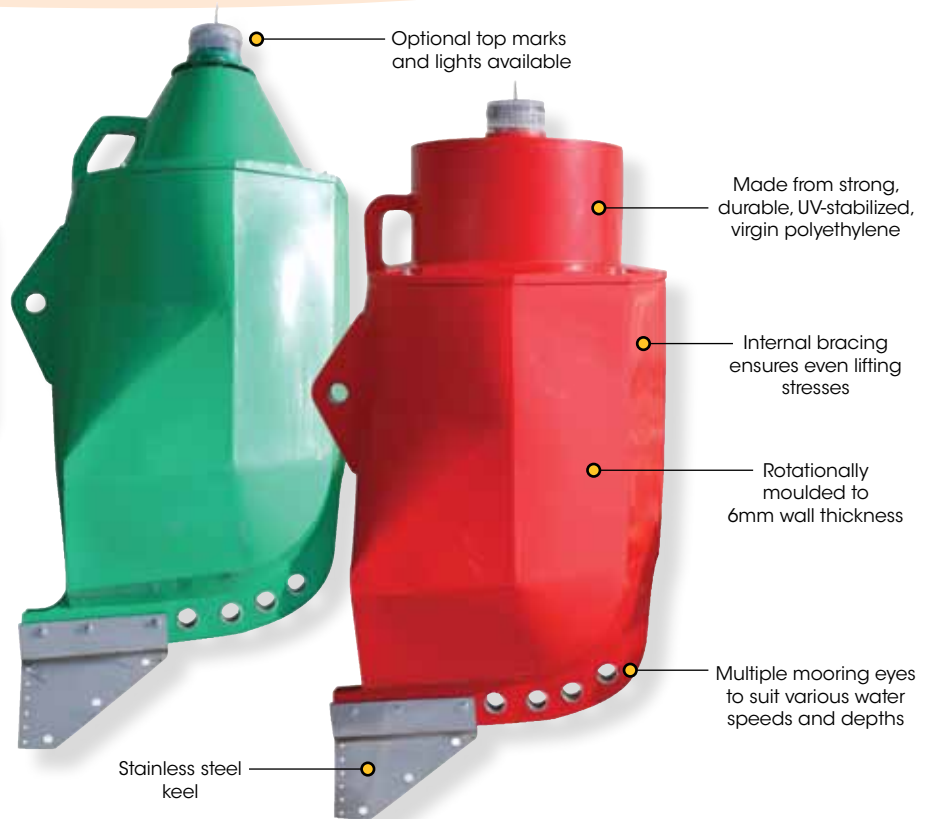


SLB750

750mm dia. Marker Buoy suited to Fast Water

Sealite have a range of mooring chains & accessories - ask your representative today how we can supply your complete mooring solution



The Sealite Advantage

- Single piece float
- Complete unit - ready for immediate installation
- Unique design suitable for fast water currents
- High visibility red, green, white or yellow as per IALA recommendations
- 316-grade moulded-in tie bar provides outstanding lifting strength
- Excellent buoyancy & stability

The Sealite SLB750 is a large 750mm dia. marker buoy designed for a variety of applications and is particularly suited to fast water currents up to 6 knots.

The unique, one piece float section has an internally integrated bow and keel which ensures the buoy remains stable during fast currents.

The SLB750 is rotationally-moulded from UV-stabilized, virgin polyethylene in a range of IALA recommended configurations and colours to ensure clear visibility, and may be fitted with a Sealite LED lantern for safe night navigation.

The SLB750 has multiple mooring eyes and counterweight mooring points to facilitate correct operation over varying water depths and speeds up to 6 knots.

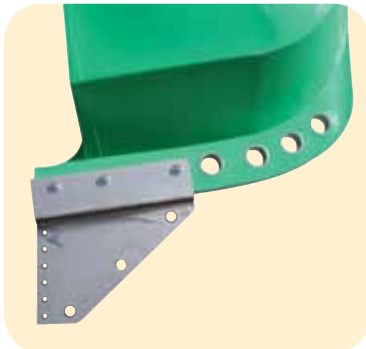


**Environmentally
Friendly &
Recyclable**

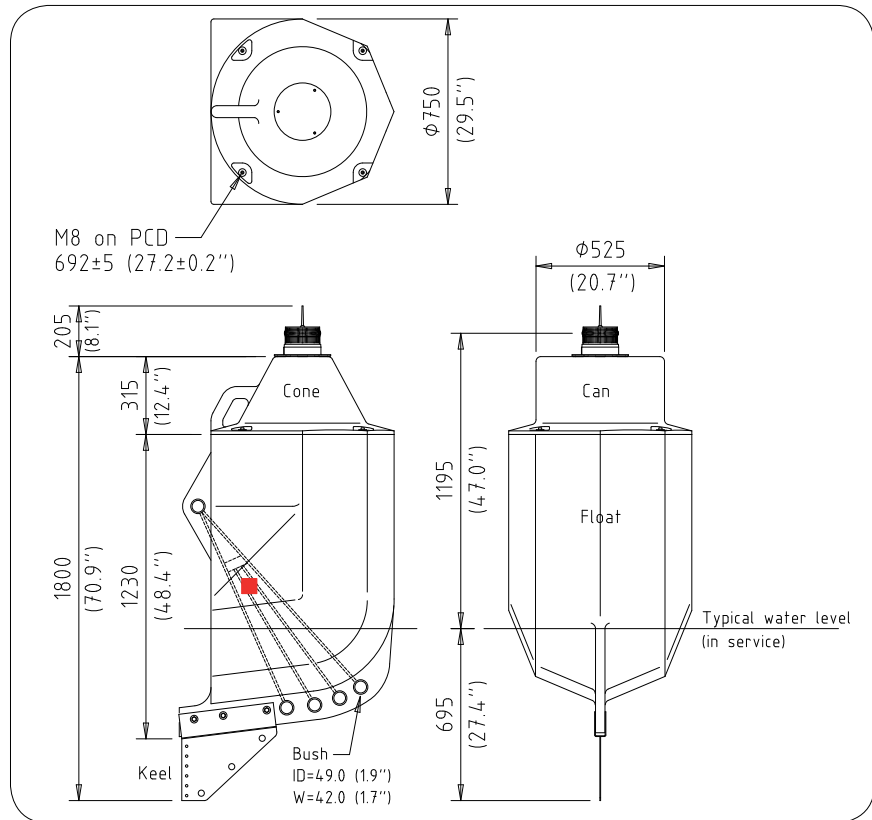
Sealite buoy products are made from recyclable materials. As a service to customers, individual components and products at the end of their service life may be returned to Sealite for recycling.

SLB750

750mm dia. Marker Buoy suited to Fast Water



Stainless steel keel ensures buoy remains stable in faster water currents



SPECIFICATIONS •



General Characteristics

Available Colours	Red, Green, White, Yellow as per IALA Recommendations
Focal Plane Height (mm/inches)	1195 / 147
Total Float Volume (litres/US gallon)	412 / 109
Reserve Buoyancy (kgs/lbs)	24 / 53
Maximum Mooring Load (kgs/lbs)	24 / 53
Draft, Maximum (mm/inches)	695 / 27 ¹ / ₂
Freeboard, Minimum (mm/inches)	790 / 31 ¹ / ₈
Safe Working Load, 1 pt (kg/lbs)	1000 / 2205

Physical Characteristics

Material	Rotationally-moulded UV-stabilized virgin polyethylene
Wall Thickness (mm/inches)	6 / ¹ / ₄
Ballast (kg/lbs)	20 / 44
Filling	Closed-cell polyurethane foam (float section)
Height (mm/inches)	2005 / 78 ⁷ / ₈
Width (mm/inches)	750 / 29 ¹ / ₂
Mass (kg/lbs)	64 / 141
Product Life Expectancy	Up to 12 years

Certifications

Quality Assurance	ISO9001:2008
-------------------	--------------

Intellectual Property

Trademarks	SEALITE® is a registered trademark of Sealite Pty Ltd
Warranty *	1 year

Lantern Options

Lantern Options	Sealite SL15, SL60 or SL70 lantern
-----------------	------------------------------------

Options Available

Options Available	• Mould-in graphics
-------------------	---------------------



• Specifications subject to change or variation without notice
* Subject to standard terms and conditions